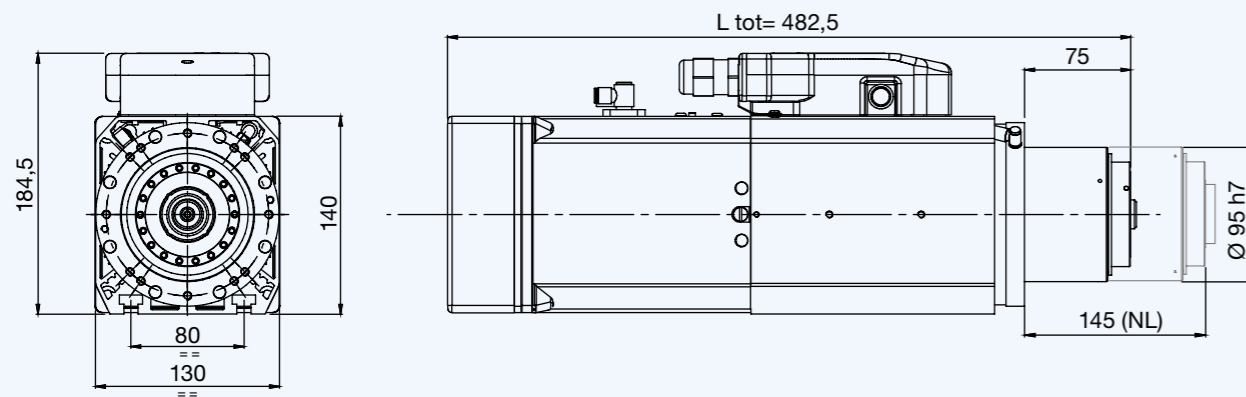


# POWERTECH 300



SUITABLE FOR MACHINING WOOD, PLASTICS AND COMPOSITES  
WIDE RANGE OF POWER FOR ANY TYPE OF MACHINING  
AVAILABLE WITH LIQUID COOLING FOR HEAVY AND INTENSIVE PROCESSES  
EASY MAINTENANCE

## LAYOUT HSK 63F CB

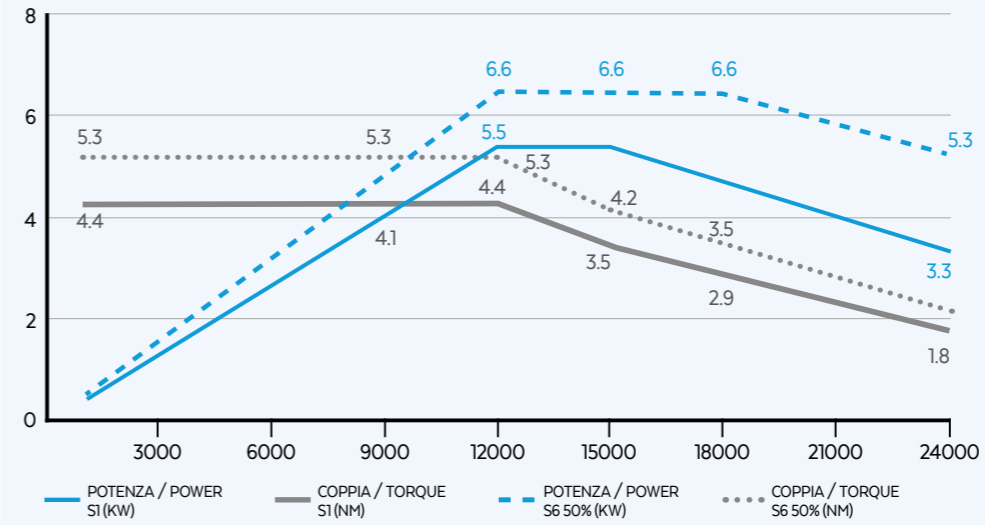


## ALTRI LAYOUT / OTHER LAYOUTS

	ΔL	L tot
ISO 30	+6,9 mm	489,4 mm
Aria compressa / Compressed air	ISO30= -44 mm HSK63F= -44 mm	438,5 mm
Encoder (1 Vpp or TTL)	ISO30= +7 mm HSK= +7 mm	496,4 mm 489,5 mm

## QE-1F 5.5/12 24

### PRESTAZIONI / PERFORMANCES



### OPZIONALI / OPTIONS

- Encoder TVpp or TTL
- Circular connector CC
- Quick connection PP
- Long nose
- Air tool
- ISO 30
- Anti-rotation sleeves
- Bearings temperature monitoring
- Speed monitoring
- Vibration sensor
- C-AXES available
- iSPINDLE
- Compressed air cooling

### SPECIFICHE TECNICHE / TECHNICAL SPECIFICATIONS

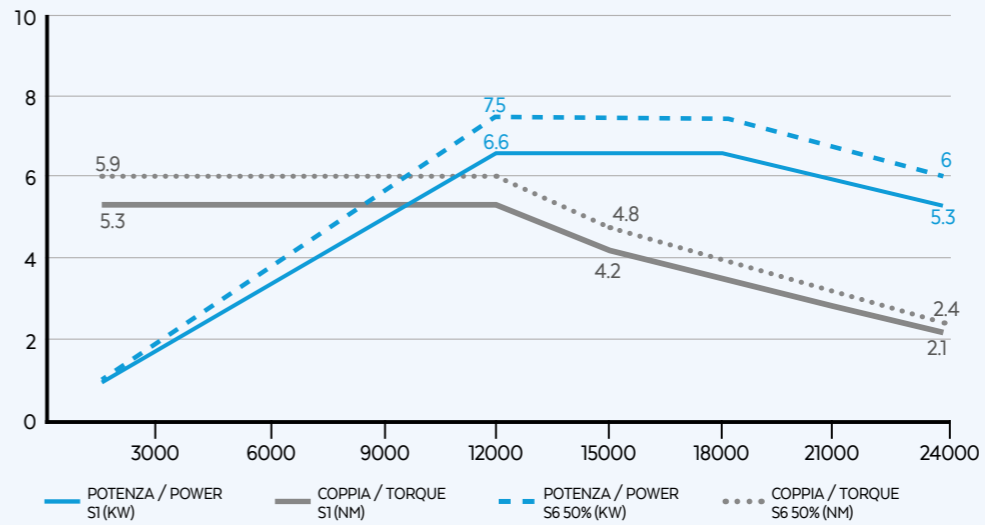
- S1-S6 kW 5.5/6.6
- S1-S6 Nm 4.4/5.3
- rpm 24000
- S1-S6 A 13.5/14.5
- Volt 380
- kg 21
- Pol es 4
- Supply inverter

### EQUIPAGGIAMENTO / EQUIPMENT

- HSK 63F
- Ceramic ball bearings
- Taper cleaning
- Electrofan cooling
- Labyrinth with air seal
- Grease lubrication
- Double effect pneumatic cylinder
- Sensors s1, s2, s3, s5
- Automatic tool change (A.T.C)

## QE-1F 6.6/12 24

### PRESTAZIONI / PERFORMANCES



### OPZIONALI / OPTIONS

- Encoder TVpp or TTL
- Circular connector CC
- Quick connection PP
- Long nose
- Air tool
- ISO 30
- Dual voltage 220V-380V
- Anti-rotation sleeves
- Bearings temperature monitoring
- Speed monitoring
- Vibration sensor
- C-AXES available
- Compressed air cooling
- iSPINDLE

### SPECIFICHE TECNICHE / TECHNICAL SPECIFICATIONS

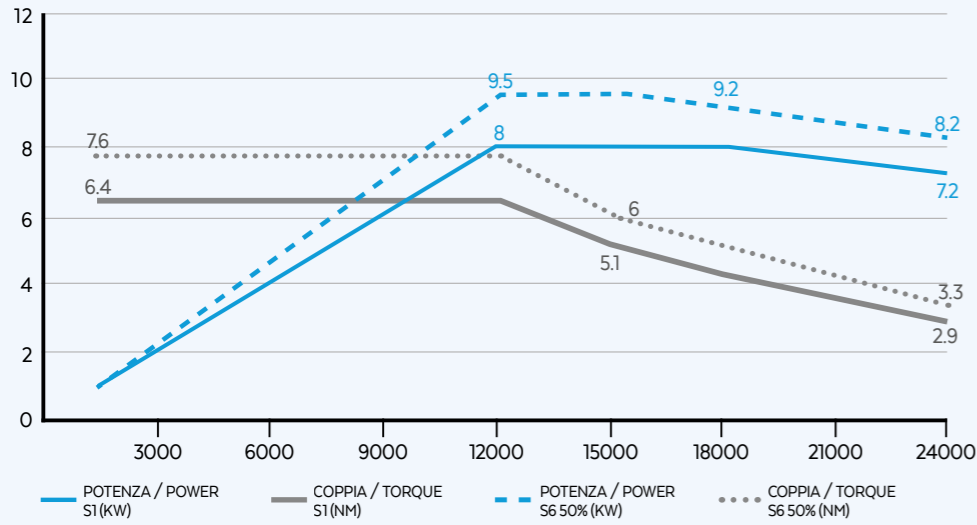
- S1-S6 kW 6.6/7.5
- S1-S6 Nm 5.3/5.9
- rpm 24000
- S1-S6 A 14.5/16
- Volt 380
- kg 21
- Pol es 4
- Supply inverter

### EQUIPAGGIAMENTO / EQUIPMENT

- HSK 63F
- Ceramic ball bearings
- Taper cleaning
- Electrofan cooling
- Grease lubrication
- Double effect pneumatic cylinder
- Labyrinth with air seal
- Sensors s1, s2, s3, s5
- Automatic tool change (A.T.C)

QE-1F 8/12 24

PRESTAZIONI / PERFORMANCES



OPZIONALI / OPTIONS

- Circular connector CC
- Quick connection PP
- Long nose
- Air tool
- Encoder TVpp or TTL
- ISO 30
- Dual voltage 220V-380V
- Bearings temperature monitoring
- Speed monitoring
- Vibration sensor
- C-axes available
- Compressed air cooling
- iSPINDLE
- Anti-rotation sleeves

SPECIFICHE TECNICHE / TECHNICAL SPECIFICATIONS

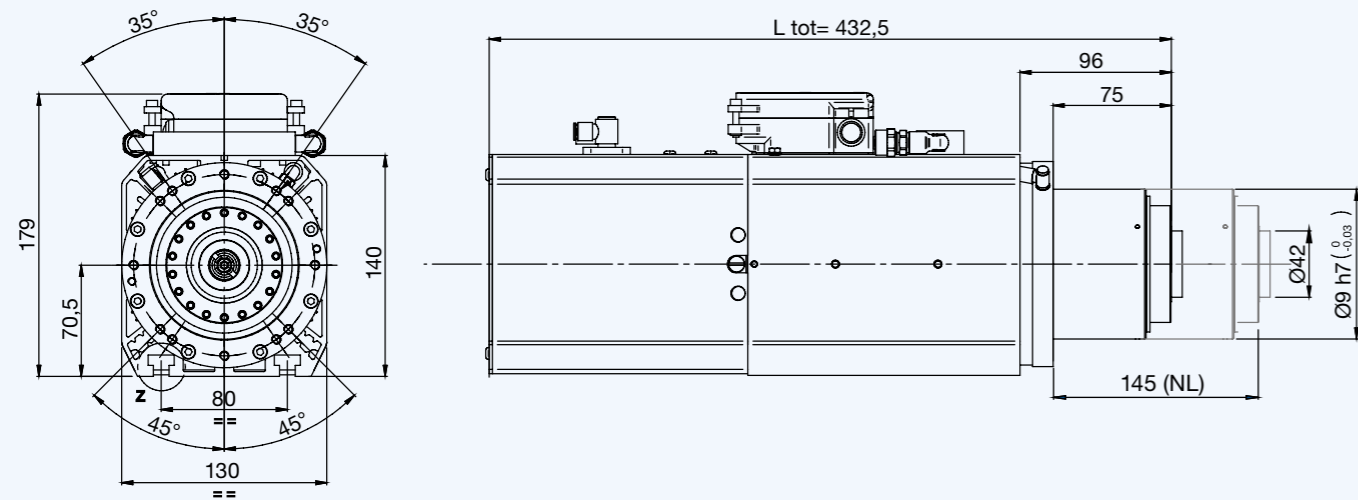
**S1-S6 kW** 8/9.5  
**S1-S6 Nm** 6.4/7.6  
**rpm** 24000  
**S1-S6 A** 18.5/20.5  
**Volt** 380  
**kg** 21  
**Pol es** 4  
**Supply** inverter

EQUIPAGGIAMENTO / EQUIPMENT

**HSK 63F**  
**Ceramic ball bearings**  
**Grease lubrication**  
**Electrofan cooling**  
**Labyrinth with air seal**  
**Double effect pneumatic cylinder**  
**Sensors s1, s2, s3, s5**  
**Automatic tool change (A.T.C)**  
**Taper cleaning**

LAYOUT ISO 30 PP

LIQUID



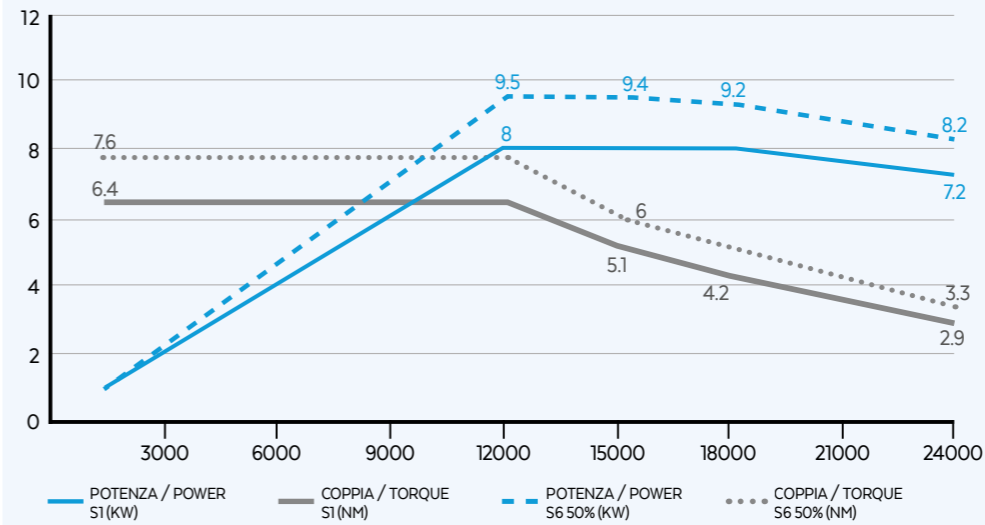
ALTRI LAYOUT / OTHER LAYOUTS

	ΔL	L tot
Encoder (1 Vpp or TTL)	ISO30= +7 mm	439,5 mm
HSK63F	0 mm	432,5 mm

QE-2 8/12 24

LIQUID

PRESTAZIONI / PERFORMANCES



OPZIONALI / OPTIONS

- Encoder TVpp or TTL
- Long nose
- Air tool
- Quick connection pp machine side
- iSPINDLE
- Anti-rotation sleeves
- Bearings temperature monitoring
- Speed monitoring
- Vibration sensor
- C-axes available
- HSK 63F

SPECIFICHE TECNICHE / TECHNICAL SPECIFICATIONS

**S1-S6 kW** 8/9.5  
**S1-S6 Nm** 6.4/7.6  
**rpm** 24000  
**S1-S6 A** 18.5/20.5  
**Volt** 380  
**kg** 21  
**Pol es** 4  
**Supply** inverter

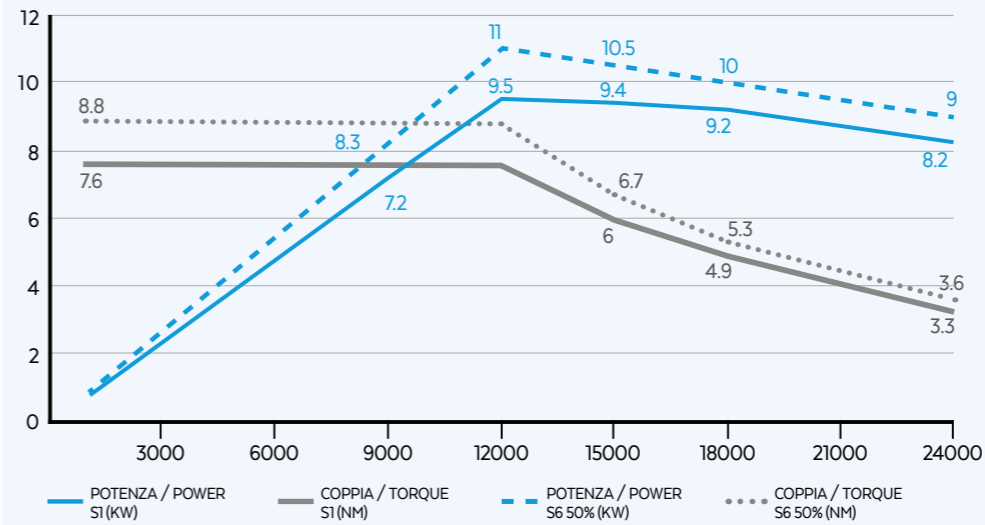
EQUIPAGGIAMENTO / EQUIPMENT

**ISO 30**  
**Ceramic ball bearings**  
**Taper cleaning**  
**Liquid cooling**  
**Labyrinth with air seal**  
**Quick connection pp spindle side**  
**Double effect pneumatic cylinder**  
**Sensors s1, s2, s3, s5**  
**Automatic tool change (A.T.C)**  
**Grease lubrication**

QE-2 9,5/12 24

LIQUID

PRESTAZIONI / PERFORMANCES



OPZIONALI / OPTIONS

- Encoder TVpp or TTL
- Long nose
- Air tool
- Quick connection pp machine side
- iSPINDLE
- Anti-rotation sleeves
- Bearings temperature monitoring
- Speed monitoring
- Vibration sensor
- C-axes available
- HSK 63F

SPECIFICHE TECNICHE / TECHNICAL SPECIFICATIONS

**S1-S6 kW** 9.5/11  
**S1-S6 Nm** 7.6/8.8  
**rpm** 24000  
**S1-S6 A** 20.5/23  
**Volt** 380  
**kg** 21  
**Pol es** 4  
**Supply** inverter

EQUIPAGGIAMENTO / EQUIPMENT

**ISO 30**  
**Ceramic ball bearings**  
**Taper cleaning**  
**Liquid cooling**  
**Labyrinth with air seal**  
**Quick connection pp spindle side**  
**Double effect pneumatic cylinder**  
**Sensors s1, s2, s3, s5**  
**Automatic tool change (A.T.C)**  
**Grease lubrication**

# POWERTECH 400 HIGH SPEED

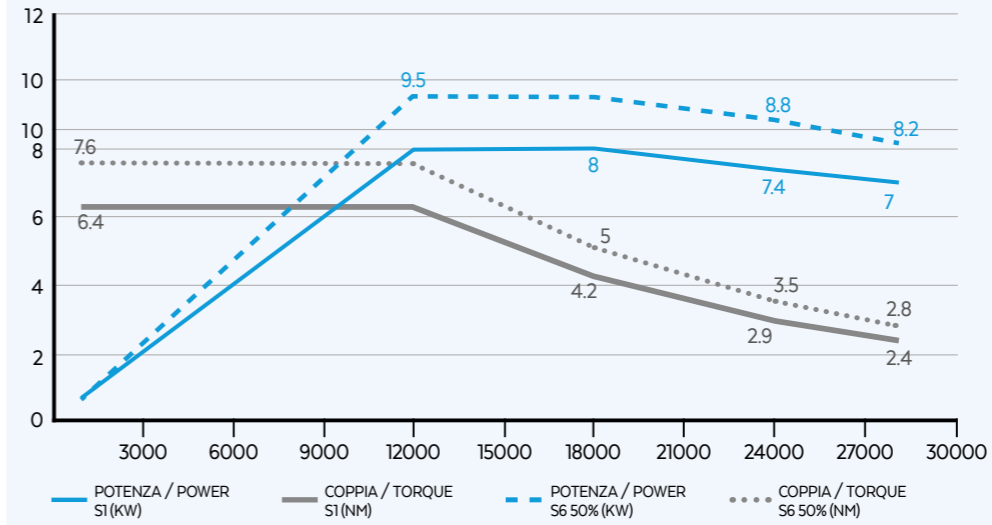


SUITABLE FOR MACHINING ALUMINUM AND COMPOSITES  
LONG NOSE DESIGN TO GUARANTEE STRONG RIGIDITY  
AIR COOLED SPINDLES WITH HIGH SPEED UP TO 28K RPM FOR FASTER FEED RATES  
AVAILABLE WITH ISO 30, HSK 63F AND DUAL VOLTAGE

QE-1F 8/12 28

HIGH SPEED

### PRESTAZIONI / PERFORMANCES



### OPZIONALI / OPTIONS

- Encoder 1Vpp or TTL
- ISO 30
- Air tool
- Quick connection PP
- Dual voltage 220V-380V
- ISPINDLE
- Bearings temperature monitoring
- Speed monitoring
- Vibration sensor
- C-axes available
- Circular connector machine side

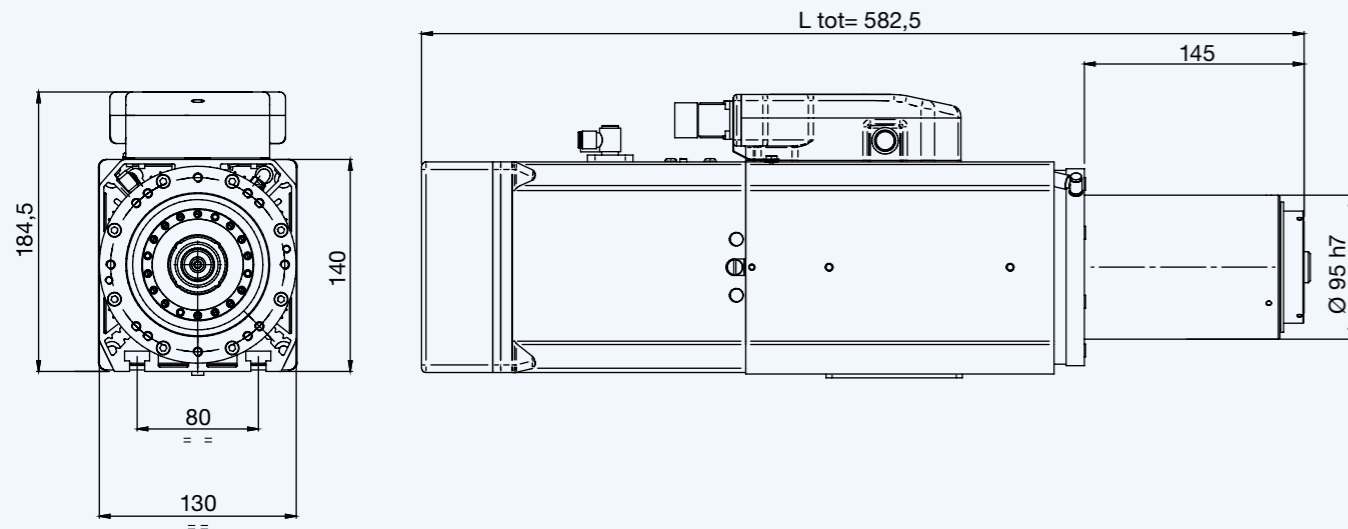
### SPECIFICHE TECNICHE / TECHNICAL SPECIFICATIONS

- S1-S6 kW 8/9
- S1-S6 A 17/19
- Pol es 4
- S1-S6 Nm 6.4/7.6
- Volt 380
- Supply inverter
- rpm 28000
- kg 25

### EQUIPAGGIAMENTO / EQUIPMENT

- HSK 63F
- Ceramic ball bearings
- Circular connector spindle side
- Electrofan cooling
- Labyrinth with air seal
- Taper cleaning
- Double effect pneumatic cylinder
- Sensors s1, s2, s3, s5
- Automatic tool change (A.T.C)
- Grease lubrication

### LAYOUT HSK 63F CC



### ALTRI LAYOUT / OTHER LAYOUTS

	$\Delta L$	L tot
ISO 30	+6,9 mm	589,4 mm
Encoder (1 Vpp or TTL)	+7 mm	589,5 mm

